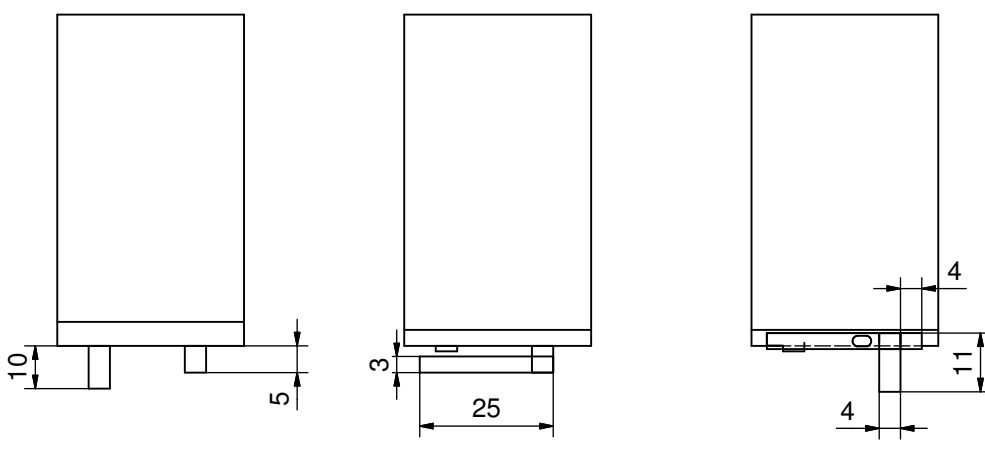


assembly steps



view without Kapton tape (pos. 130)

Specification

**1.General:**  
 Battery with safety circuit and wires  
 Cell: LPP 383450 8TH  
 PCM: PLFE  
 NTC: None  
 ID: None  
 Configuration: 1S  
 Weight: approx. 16g

**2.Electrical Specification:**  
 Rated Capacity: 790 mAh min, 830 mAh typical  
 Nominal Voltage: 3.7V  
 Watt-hour rating: 3.1Wh  
 Charging Method: Constant Current + Constant Voltage  
 Max. Charge Voltage [V]: 4.20 (±50mV)  
 Max. Continuous Charge Current: 790 mA  
 Rec. Charge cut off: by current 14 mA or by time 3h  
 Max. Continuous Discharge Current: 1580 mA  
 Rec. Discharge cut off: 3V  
 Internal Impedance: approx. 110 mOhm  
 Exp. Cycle Life: >400 cycles > 80% of initial cap. (0.5C/0.5C)

**Cell protection**  
 Overcharge Detection: 4.275±0.025V  
 (0.7 to 1.3 sec. delay, resume 4.275±0.025V)  
 Overdischarge Detection: 2.30±0.058V  
 (14 to 26 msec. delay, resume 2.30±0.058V)  
 Overcurrent Detection: 2.0A to 4.0 A (8 to 16 msec. delay)

**3. Ambient Conditions**  
 Temperature Range  
 - Charge: 0 to +45°C  
 - Discharge: -20 to +60°C  
 - Storage: 1 year at -20 to +20°C >80%  
 1 month at -20 to +60°C >80%

**Humidity: 65±20%RH**

**4.Environmental and Safety**  
 Please follow VARTA Handling and Safety Precautions for Lilon & LiPolymer.  
 The cell is approved to UL 1642.  
 This battery meets the requirements of Battery Directives, and the battery parts are RoHS-Compliant.

Index		Anderung / Alteration		Date	Name
Projection:	Freimaßtoleranzen General tolerances	Diese Maße werden besonders geprüft This dimensions are considered inspectable		Maßstab / Scale 1:1 (2:1)	
Maße in mm All dimensions in mm	up to 6 ± 0,1			Material	
Als Betriebsgeheimnis anvertraut, alle Rechte vorbehalten. Proprietary data, company confidential, all rights reserved.	over 6 up to 30 ± 0,2 over 30 up to 100 ± 0,3 over 100 ± 0,5	Date	Name	Benennung / Designation	
		Erst.Orig.	09.10.2008	bschweinst	
		Bearb.Desig.	13.10.2008	bschweinst	
		Gepr./Check.	13.10.2008	R.Keppeler	
<b>VARTA Microbattery</b> mobility for you				Zöhrng. / Dwg.Nr.	Index
				2 KE_1953_00	00
Origin:		repl.:		Alloc.:	

In Arbeit